

HARDSCAPE 3 LED WITH BRACKET

2700K Warm White	3000K Pure White	4200K Cool White
15745 AZT27	15745 AZT30	15745 AZT42
15745 BBR27	15745 BBR30	15745 BBR42
15745 CO27	15745 CO30	15745 CO42
15745 GRY27	15745 GRY30	15745 GRY42
15745 SD27	15745 SD30	15745 SD42
15745 WHT27	15745 WHT30	15745 WHT42

AZT - Textured Architectural Bronze (Marine grade powder coat)
 BBR - Bronzed Brass
 CO - Unfinished Copper
 GRY - Textured Gray (Marine grade powder coat)
 SD - Textured Sand (Marine grade powder coat)
 WHT - Textured White (Marine grade powder coat)

Cast Aluminum, Cast Brass, Copper Plated Brass (Copper will naturally patina over time)

3 Integrated High Output Nichia® LEDs, tightly binned for color uniformity, and constant current driver

55°

2700K (-280/+0) 3000K (-200/+175) 4200K (-400/+400) / 80s CRI

.75 W, 1.3 VA
 Multiply fixture VA by the number of fixtures used to determine size of transformer

9V-15V AC/DC with no loss in output due to constant current technology

Tested to an L-70 of 40,000 hours

2700K = 34.7 Lm 2700K = 46 Lm/W
 3000K = 44.5 Lm 3000K = 59 Lm/W
 4200K = 51.9 Lm 4200K = 69 Lm/W

70" of usable #18-2, SPT-1W leads. Pro series wire connectors supplied

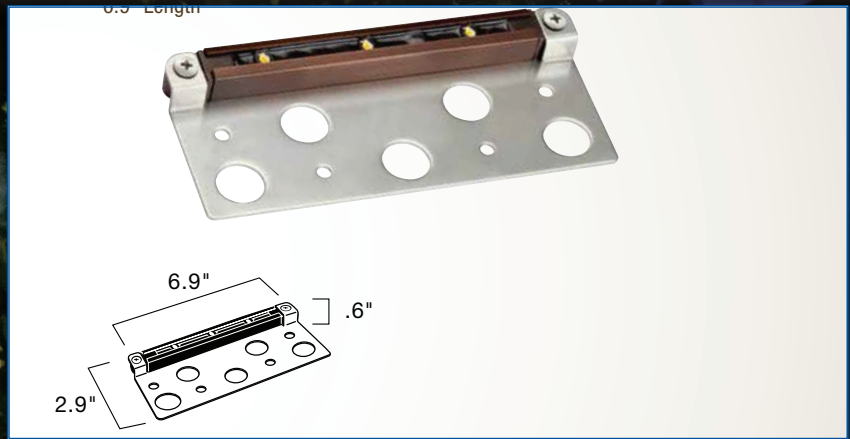
Stainless steel masonry bracket and mounting screws

15717 SS - 3 LED Accessory Bracket

Subjected to Highly Accelerated Life Testing - 3rd party reliability testing
 Not for use with electronic transformers

Mounting Height	0'	1'	2'	3'	4'
foot candles at 12"	43.7	4.89	0.31	0.12	0.07
foot candles at 24"	10.7	4.87	1.29	0.12	0.08
foot candles at 36"	4.96	3.14	1.56	0.67	0.24

WT745



Guaranteed not to burn out for 15 years (10 commercially)



Professional-grade LED lighting and system components, designed and engineered for optimum all-weather performance with natural lighting effects, deliver professional results.



Enhance The Night - www.landlight.ca