

HARDSCAPE 6 LED NO BRACKET

15736 AZT30 - Textured Architectural Bronze (Marine grade powder coat)
 15736 BBR30 - Bronzed Brass
 15736 CO30 - Unfinished Copper
 15736 GRY30 - Textured Gray (Marine grade powder coat)
 15736 SD30 - Textured Sand (Marine grade powder coat)
 15736 WHT30 - Textured White (Marine grade powder coat)

Aluminum, Brass, Copper Plated Brass (Copper will naturally patina over time.)

6 Integrated High Output Nichia® LEDs, tightly binned for color uniformity, and constant current driver

55°

3000K (-200/+125) / 80s CRI

1.4 W, 2.4 VA

Multiply fixture VA by the number of fixtures used to determine size of transformer

9V-15V AC/DC with no loss in output due to constant current technology

Tested to an L-70 of 40,000 hours

3000K = 88 Lm
 3000K = 61 Lm/W

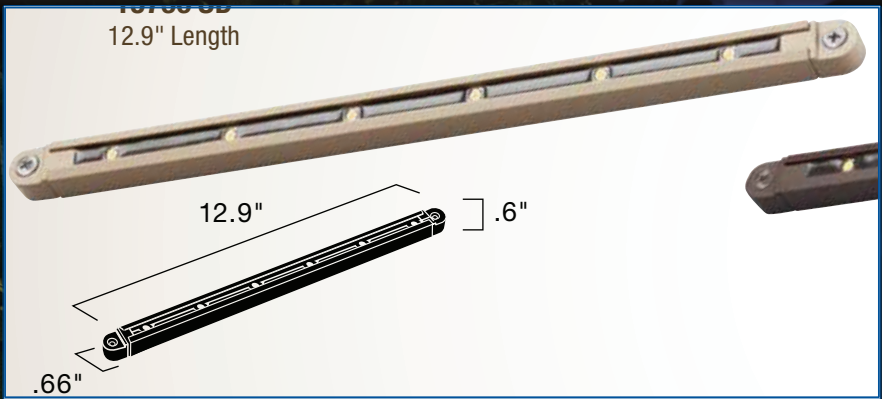
70" of usable #18-2, SPT-1W leads. Pro series wire connectors supplied

Stainless steel masonry bracket and mounting screws

15718 SS - 6 LED Accessory Bracket

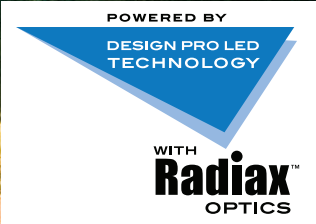
Subjected to Highly Accelerated Life Testing - 3rd party reliability testing
 Not for use with electronic transformers

Mounting Height	0'	1'	2'	3'	4'
foot candles at 12"	65.10	9.74	0.60	0.22	0.14
foot candles at 24"	19.64	9.15	2.72	0.48	0.24
foot candles at 36"	9.16	5.82	2.74	1.00	0.30



WT736

Guaranteed not to burn out for 15 years (10 commercially)



Professional-grade LED lighting and system components, designed and engineered for optimum all-weather performance with natural lighting effects, deliver professional results.



Enhance The Night - www.landlight.ca